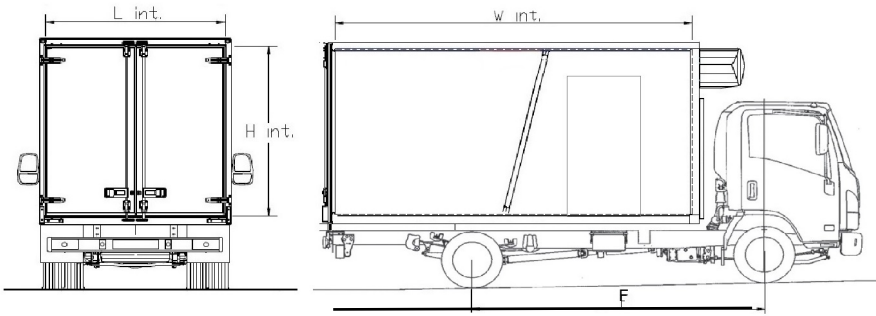


CODE PF :



Dimensions in mm		L :	
W int useful on baseboard:	4200	Z :	
L int useful on baseboard:	2060	Hc :	
Int height:	2005	F :	6160
Max height:		X :	

Volume : (m ³)	17,35
----------------------------	-------

Country	AE
Language	EN

CAB	ENGINE,	CHASSIS
<ul style="list-style-type: none"> • 3 seats • Power steering • Center door lock • Power windows • Radio / CD Player with Bluetooth • Tachometer • Front Manual Air Conditioner 	<ul style="list-style-type: none"> • EURO 4 • Diesel turbo / 3L / Direct Injection, DOHC / 124 ch • 4 cylinders / 2999 cm³ • 6-speed manual gearbox + 1 reverse gear • Exhaust brake 	<ul style="list-style-type: none"> • Tyres : 7.50R-16-12 • Fuel tank 100 L • Mechanical rear suspension • Braking system with ABS • Revers Warning Buzzer

BODYWORK

<ul style="list-style-type: none"> • Reinforced insulation - Thickness 60 mm • 2 wing doors at the Rear • 1 single wing side door at the right • Folding type Stepladder to rear door & side door 	<ul style="list-style-type: none"> • Non-slip grey floor without wheel arch with 2 drain traps • 2 Waterproof lights • Movable Partition (thickness of 50mm), lock at 3 positions with 1 Thermostatic fan • Flexible Polar curtains on the rear and side doors • Side skirting aluminum, high 250 mm
-------------------------------------------------------------------------------------------------------------------------------------------------------------------------------------------------------------------------------------------------	---------------------------------------------------------------------------------------------------------------------------------------------------------------------------------------------------------------------------------------------------------------------------------------------------------------------------------------------------------

REFRIGERATED UNIT

<ul style="list-style-type: none"> • CARRIER / OASIS 250 / +0° CELSIUS / -18° Celsius or equivalent 	<ul style="list-style-type: none"> • On road functioning, diesel and mains supply / (380 V Triphased) • On road cooling power (@ grande vitesse) : à 0°C = 5800 W / à -20°C = 3600 W / Airflow : 2250 m³/h
--------------------------------------------------------------------------------------------------------------------	-----------------------------------------------------------------------------------------------------------------------------------------------------------------------------------------------------------------------------------------------