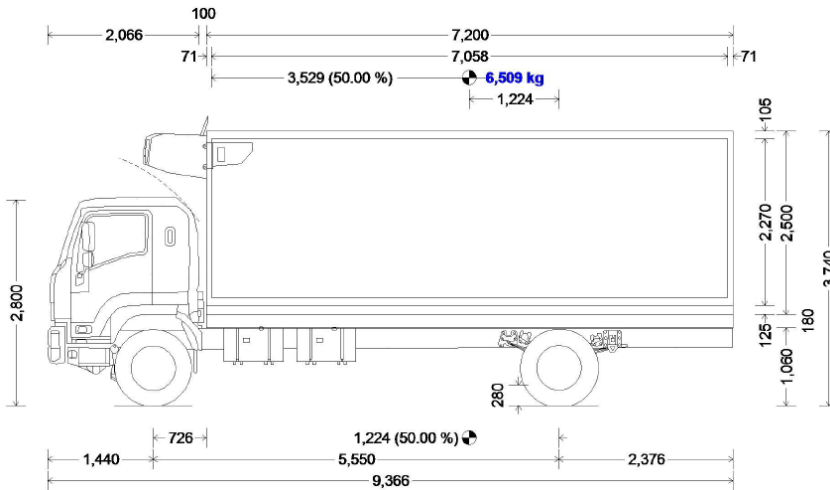


PF CODE : FTR850.240 CF



Dimensions in mm

W int useful on baseboard	2458
L int useful on baseboard	7058
Int height	2270
Max height	3740
L :	7200
Z :	9366
Hc :	1060
F :	5550
X :	2376

GVW : 15,300 kg

Payload : 7,200 kg (+/- 5%)

Volume : 39 m3

CAB

- 3 seats
- Adjustable driver seat
- Air suspension driver seat
- 24V cigarette lighter
- Power steering
- Heater and demister
- Tilt

ENGINE

- EURO 2
- Turbocharged & Intercooled / 7.8L / Common Rail / 240 hp
- 6-cylinder
- Auto gearbox
- 2 x 110 Ah Batteries
- 60 A Alternator

CHASSIS

- Tyres : 11R22.5-16PR
- 2 x 200 L lockable fuel tank
- Anti fuel theft device
- Lockable battery cover
- Mechanical rear suspension
- Braking system with ABS
- Rear slide away step
- Mudflaps
- Rear rubber bumper rollers
- LED rear tail and number plate lights

BODYWORK

- Reinforced insulation
- Additional 50 PU density
- Double rear door
- 4 interior LED lights with timer
- 2 Drain holes
- Rice grain aluminium floor
- Aluminium scuffs on sides and front
- Transparent plastic curtains
- Trolley bracket
- Escape hatch
- 2 Rows loadlock rails per side and 2 shoring bars
- Under slung door retainers
- Temperature box gauge

REFRIGERATED UNIT

- CARRIER / SUPRA 550
- On road functioning, diesel and mains supply / (380 V Triphased)
- On road cooling power (at 2400 tr/min) : at 0°C = 5455 W / at -20°C = 3165 W / Airflow : 2150 m3/h
- Evaporator guard
- Access ladder
- Catwalk
- Fridge door switch

IZUSU FTR 850 AMT - COOLING BOX

